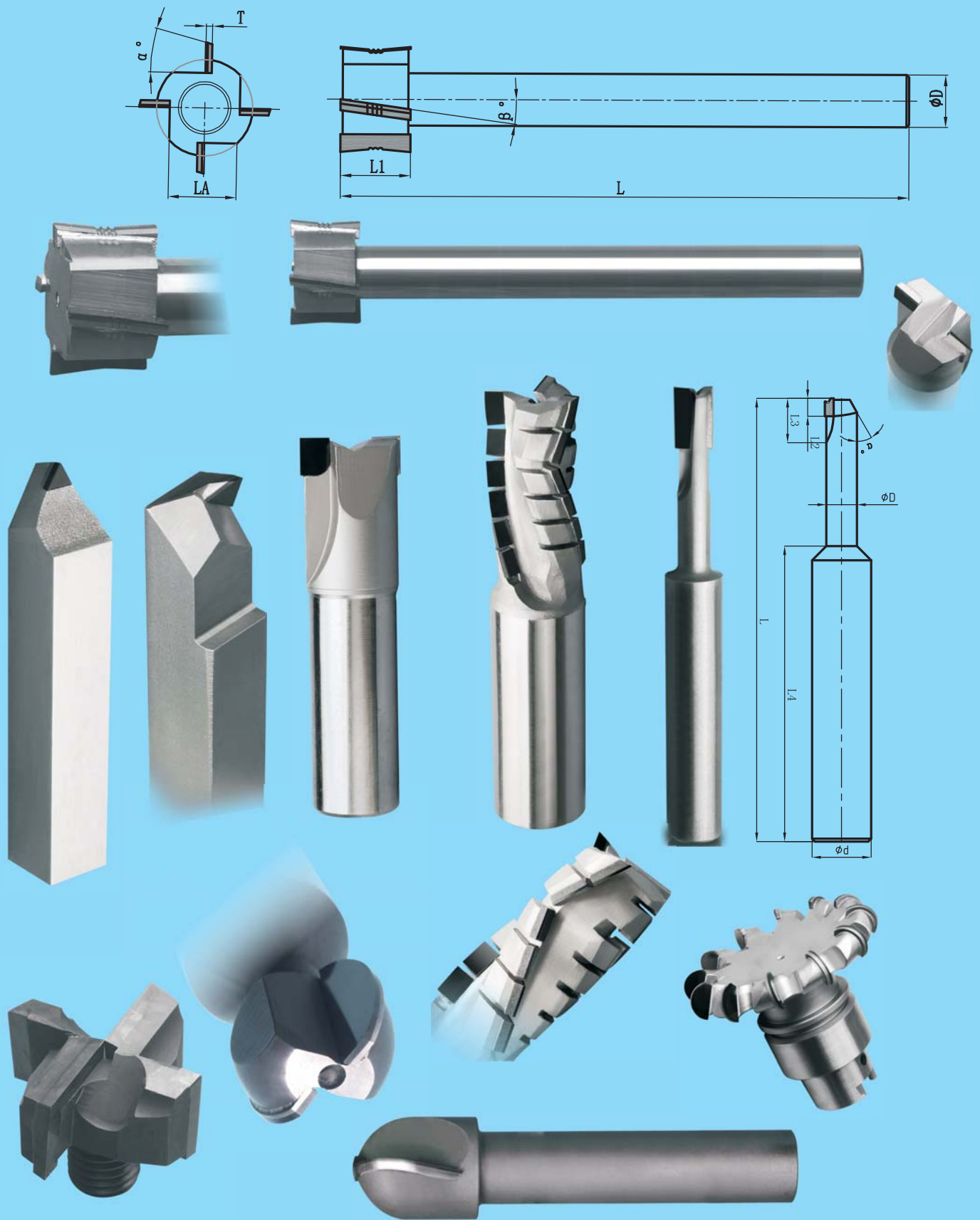


醫用工具及配件系列(單晶鑽石/鑽石/CVD/PCD/CBN系列)  
 Medical tools and parts series (Monocrystal diamond / Diamond / CVD / PCD / CBN Series)  
 医療器具及び部品シリーズ(単結晶ダイヤモンド/ダイヤモンド/CVD/PCD/CBNシリーズ)



★可以依圖依樣鏡面研磨加工任意材種，形狀、特殊、異型、精度公差之產品。We can make tools with any material, any shape, special kind, special type, abnormal shape and precision and tolerance by mirror surface grinding according to your drawings or samples

醫用工具及配件系列(單晶鑽石/鑽石/CVD/PCD/CBN系列)  
 Medical tools and parts series (Monocrystal diamond / Diamond / CVD / PCD / CBN Series)  
 医療器具及び部品シリーズ(単結晶ダイヤモンド/ダイヤモンド/CVD/PCD/CBNシリーズ)



★可以依圖依樣鏡面研磨加工任意材種，形狀、特殊、異型、精度公差之產品。We can make tools with any material, any shape, special kind, special type, abnormal shape and precision and tolerance by mirror surface grinding according to your drawings or samples